



High purity pumps

东正一直致力于技术革新
是您值得信赖的事业伙伴
**Donjoy has been committed to
technical innovation, is your trustworthy
business partner!**

目录册技术资料仅供参考，
东正保留更新和升级的权利，恕不另行通知！

Catalogue technical information only for reference.
Donjoy reserves the rights to update and upgrade
without prior notice.

法律声明:

目录样册版权归东正所有，
如有抄袭，必将追究其法律责任和经济赔偿。
东正已获得国家版权局书刊号。
东正诸多产品技术，都具有专利保护，
如有抄袭，必将追究法律责任和经济赔偿。

Legal statement:

Copyright of the catalogue belongs to Donjoy.
If there is plagiarism, it will be investigated for legal
responsibility and economic compensation.
Donjoy has been granted publications number by
Chinese National Copyright.
Donjoy products and technology are with patent protection.
If there is plagiarism, it will be investigated for legal
responsibility and economic compensation.

温州空港新区总部生产基地 Wenzhou airport economic zone production base



占地面积约29000m²，总投资约1.2亿RMB，约2000万USD。

Covering an area of 29000 m², with total investment after construction is expected to 120 million yuan, about 20 million USD.

领先源于创新 创新源于专业

东正的专业与品质的邂逅源于创新的精神

东正创立于1993年，注册资本6088万(约1000万USD)，是一家专注于高精度PID阀门定位器，阀门控制单元，阀门位置反馈器、智能自控阀、比例调节阀、过程控制阀、高洁净泵、均质混合泵、清洗技术、压力容器和管道安全控制技术、高洁净管材和管道配件，集研发、生产与销售为一体的国家高新技术企业。产品用途涉及行业和领域有生物制药、食品饮料、酿酒、精细化工等工业领域。东正领先的技术和持续创新解决方案，对满足全球，尤其是新兴市场不断增长生物制药和食品饮料行业的需求起到了积极作用。

东正制造的产品母材料、加工技术、焊接技术、表面处理等技术指标均已达到国际领先水平。且符合ASME BPE、EHEDG、FDA、3A等一系列国际标准和规范要求。先后通过了由德国 TÜV 机构实施的欧盟承压设备指令(PED-97/23/EC)和(MD-06/42/EC)认证；美国 3A机构实施的3-A卫生标准认证；中国安全阀特种制造设备(TS)许可证和中国质量认证中心CQC ISO9001:2015 质量管理体系认证等多项国际权威认证。

东正凭借领先的技术、优异的品质和完善的售后服务体系，公司荣获为《国家高新技术企业》，《浙江省著名商标》、《科技型企业》、《创新型企业》、《专利示范企业》、《研发中心企业》，《守合同重信用AAA企业》等众多荣誉称号。





Leading from innovation, innovation from the professionalism! Donjoy's professionalism and quality come from the spirit of innovation!

Donjoy was founded in 1993, with registered capital RMB 60.88 million (about 10million USD) We focus on developing high-precision PID valve positioner, Valve Control unit, Valve Position feedback device, intelligent automatic control valve, proportional valve, process control valve, high purity pump, homogeneous mixing pump, cleaning technology, pressure vessel, pipeline safety control technology, high clean pipe fitting&pipeline accessories and integrating r&d, production and sales as an integrated national high-tech enterprises. Donjoy's products are widely used in bio-pharmaceutical, food and beverage, wine, fine chemicals and other industrial fields. Donjoy's leading technology and innovation solutions meets growing demand in the industry of bio-pharmaceutical, food and beverage from the whole world, special emerging market.

Raw material, processing technology, welding technology, surface treatment and other technology from Donjoy have achieved advanced level in international market. It also complies with a series of international standards and specifications such as ASME BPE, EHEDG, FDA and 3A , It has passed the EU Pressure Equipment Directive (PED-97/23/EC) and (MD-06/42/EC) issued by the German TÜV organization; the 3-A health standard certification issued by the 3A organization; China Safety Valve Special Manufacturing Equipment (TS) License , China Quality Certification Center (CQC) and Quality Management System Certification (ISO9001:2015) and many other international authoritative certifications.

With advanced technology, excellent quality and perfect after-sales service system, Donjoy was awarded as National High-tech Enterprise, Provincial Famous Trademark, Science and Technology Enterprise, Innovative Enterprise, Patent Demonstration Enterprise, R & D Center Enterprise, AAA Credit Enterprise and many other honorary.



全面的创新技术能力
为您带来创造性的解决方案



Comprehensive innovation technology, capabilities Bring you creative solutions

东正拥有诸多领先的产品技术，如各种比例调节阀、过程自控阀、生物制药隔膜阀、防混双座阀、压力容器和管道安全控制技术、清洗技术、高洁净转子泵、螺杆泵、离心泵、自吸泵、均质乳化泵、均质混合泵、卫生管件和无菌管件等.....

Donjoy owes many leading technology products, such as various proportioning regulating valve, process automatic control valve, pharmaceutical diaphragm valve, mixed double seat valve, pressure vessel and pipeline safety control technology, clean technology, high cleanliness rotor pump, screw pump, centrifugal pump, self-priming pump, homogeneous emulsion pump, homogeneous mixing pump, sanitary fittings, aseptic pipe fittings and so on.

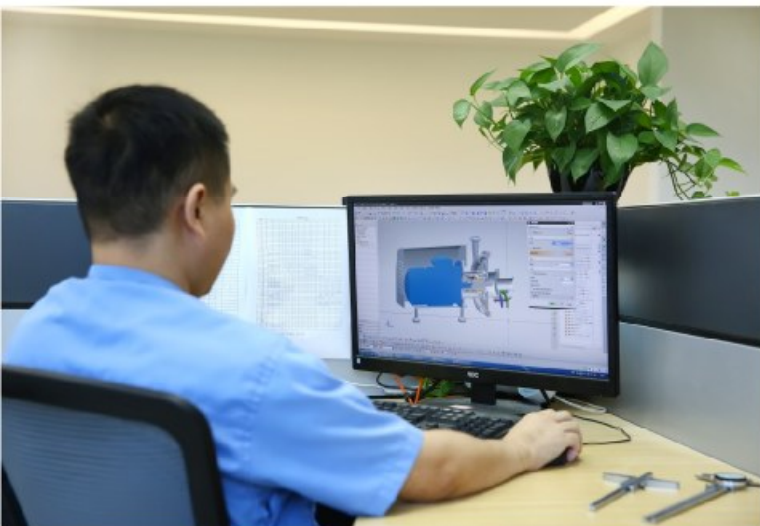


企业的成功源于创新。东正的成功基于创始人“开拓创新、追求卓越”的创新精神，1994年东正开发了第一只高洁净的蝶阀，这只蝶阀是东正的起始点。

控制器的研发成就完美的过程自动控制，2004年东正成功研发了技术领先的阀门定位器、阀门控制单元。

高洁净泵的研发确保物料输送的洁净，2006年东正成功研发了高精度的转子泵、离心泵、混合泵、自吸泵。

我们一直走在行业与时代的前沿，把不断革新、日新月异的市场发展和客户需求作为自身最大的挑战。东正有自己的独立的思维和视野，始终保持领先致力于产品在新经济领域中的开发和应用。未来我们将一如既往的坚持以技术创新、以顾客为导向走向新的成功。



Success of an enterprise stems from innovation. Donjoy's success is based on the founder's innovative spirit of "pioneering innovation and pursuing excellence". In 1994, Donjoy developed the first highly purity butterfly valve, which was the starting point of Donjoy.

Research and development of the controller achieves perfect automatic process control. In 2004, Donjoy has successfully developed advanced valve positioner and valve control unit.

Research and development of high purity pump to ensure the purity of medium transportation. In 2006, Donjoy has successfully developed high precision lobe pump, centrifugal pump, mixing pump and self-priming pump.

We are always at the forefront of the industry and times, taking the continuous innovation of technology, rapid market development and customer demand as our biggest challenge. Donjoy has its own independent thought and horizons, and always maintains a leading position in the development and application of products in the new economic field. In future, we will continue to adhere to technological innovation and customer-oriented towards new success.



精益加工车间 Lean processing workshop



东正以科学技术领先为第一生产力，也是企业核心竞争力。只有不断投入核心技术研发和创新，不断追求卓越、精益求精、以先进生产设备，严格的质量管理体系，严谨的检测流程、保证每款产品的优良性能。

Donjoy takes leading in science and technology as the first productivity as well as the core competitiveness of the enterprise. With continuous investment in core technology research, development and innovation; constant pursuit of prominence and excellence; advanced production equipment; strict quality management system; and rigorous testing process, we ensure excellent quality and performance of every product.



机器人生产线 Robot production line

装配车间 Assembly workshop



荣誉与资质 Honor and qualification

	<p>3A</p> <p>东正是美国3A认证组织的成员。3A是一个自愿组织，致力于维护公共卫生和奶制品产品质量通过独特的行业监管程序的设备，用于处理乳制品的卫生标准3-A。</p> <p>Donjoy is a member of US 3A Certification Organization, 3A is a voluntary organization dedicated to maintaining the quality of public health and dairy products through a unique industry regulatory process for the treatment of dairy product hygiene standards 3-A.</p> <ul style="list-style-type: none"> ◆54-02 (Diaphragm-Type Valves)-NUMBER: 1580-隔膜阀 ◆02-11 (Centrifugal and Positive Rotary Pumps) NUMBER: 1579-高洁净泵 ◆85-03 (Double-Seal Mixproof Valves) NUMBER: 1797-双座防混阀 ◆64-03 (Pressure Reducing and Back Pressure Regulating Valves) NUMBER: 1764-减压阀&调节阀 ◆53-05 (Compression-Type Valves) -NUMBER: 1782-单座阀(单向阀) ◆68-03 (Ball-Type Valves) NUMBER: 1785-球阀 ◆55-02 (Boot Seal-Type Valves) NUMBER: 1783-无菌取样阀 ◆04-02 (Personnel Access Ports for Wet Applications) NUMBER: 1786-人孔。 ◆63-03 (Sanitary Fittings) NUMBER: 1581-卫生管件
	<p>PED/97/23/EC&MD/06/42/EC</p> <p>由德国TÜV机构实施的欧盟承压设备安全指令 (PED-97/23/EC)，机械安全指令MD-06/42/EC。</p> <p>EU Pressure Equipment Safety Directive (PED-97/23/EC), Machinery Safety Directive MD-06/42/EC, implemented by TÜV, Germany.</p> <ul style="list-style-type: none"> ◆MD/06/42/EC NUMBER: 705201402401-00 - LOBE PUMP转子泵 ◆MD/06/42/EC NUMBER: 705201616101-00 - Centrifugal pump 离心泵 ◆PED/97/23/EC NUMBER: DGR - 0036-QS-1153-14-Valvee 阀门系列
	<p>安全阀特种制造许可证(TS) Safety valve special manufacturing license</p> <p>东正通过了安全阀特种制造许可证，目前是国内首家通过“高洁净安全阀特种制造许可证”的企业(安全附件及安全保护装置)。</p> <p>◆其证书编号：TSF 733008-2019</p> <p>Donjoy has passed the safety valve special equipment manufacturing license. Recently, is the first enterprise in China to pass the "Special Manufacturing License for High Clean Safety Valves" (safety accessories and safety protection devices). ◆Certificate number: TSF 733008-2019</p>
	<p>FDA.177.2600</p> <p>东正制造的高洁净阀门和泵以及流体设备等，与物料接触密封面全部通过或符合美国食品和药品管理局和联邦法规第21条即，CFR 21 FDA177.2600和FDA177.1550认证，其涵盖：EPDM VITON (FPM) SILICON HNBR 等橡胶和PTFE 塑料材料。 ◆符合美国 3-A-18-03-CLASS - II</p> <p>The seals of Donjoy's high-cleaning valves, pumps and fluid equipment that contact with material, all pass or comply with the US Food and Drug Administration and Federal Regulations issue 21, i.e. CFR 21 FDA177.2600 and FDA177.1550 certification. The seals cover : EPDM, VITON (FPM), SILICON, HNBR and other rubber & PTFE plastic material. ◆Meets US 3-A-18-03-CLASS - II</p>
	<p>ISO-9001-2015</p> <p>东正通过中国质量认证中心CQC ISO9001-2015/GB/T19001-2015企业质量管理体系认证。 ◆其证书编号：00117Q38464R4M/3302</p> <p>Donjoy passed the China Quality Certification Center CQC, ISO9001-2015/GB/T19001-2015 enterprise quality management system certification. ◆Its certificate number is 00117Q38464R4M/3302.</p>
	<p>卫生许可证 Hygiene License</p> <p>东正通过了省卫生厅卫生阀门、卫生管件等检验且获得了其颁发的证书。 ◆其批准文号：第0056号</p> <p>Donjoy passed the inspection of sanitary valves and sanitary fittings of the Provincial Health Department and obtained the certificate issued by it. ◆Its approval number: No. 0056</p>
	<p>国家高新技术企业 National High-Tech Enterprise</p> <p>东正，经过20余年发展和技术研发，2011年被评定为国家高新技术企业。</p> <p>Donjoy, after more than 20 years of development and technology research & development, was assessed as a national high-tech enterprise in 2011.</p>
	<p>浙江省著名商标 Zhejiang province famous trademark</p> <p>东正，凭借先进的技术、优良的品质和完善的售后服务体系，2012年被浙江省工商厅评定为浙江省著名商标。</p> <p>Donjoy, by virtue of advanced technology, excellent quality and perfect after-sales service system, was recognized as a famous trademark of Zhejiang Province by the Industrial and Commercial Bureau of Zhejiang Province in 2012.</p>

东正不但拥有以上认证和荣誉，且被评定为省科技型、创新型、专利示范、研发中心、重合同守信用等诸多荣誉。并拥有100多项专利技术。

Donjoy not only owes above certification and honors, but also has been evaluated as provincial science and technology type, innovation, patent demonstration, research and development center, contract keeping and other honors. It also owes more than 100 patented technologies.

荣誉与资质 Honor and qualification



东正不但拥有以上认证和荣誉，且被评定为省科技型、创新型、专利示范、研发中心、重合同守信用等诸多荣誉。并拥有100多项专利技术。

Donjoy not only owes above certification and honors, but also has been evaluated as provincial science and technology type, innovation, patent demonstration, research and development center, contract keeping and other honors. It also owes more than 100 patented technologies.

工艺管道连接对泵使用的影响

The effect of pipe connection on pump usage




ABB
IE2 IEC 60034-1
3-Motor

No.	V	Hz	kw	r/min	A	cosφ	F	IP55
	230△	50	1.5	1441	6.11	0.74	S1	
	400 Y	50	1.5	1441	3.53	0.74	S1	
	230△	50	1.5	1435	6.10	0.78	S1	
	380 Y	50	1.5	1435	3.53	0.78	S1	
	460 Y	60	1.5	1741	3.22	0.70	S1	
	440 Y	60	1.5	1735	3.17	0.74	S1	

50Hz:IE2-82.8(100%)
60Hz:IE2-84.0(100%)
Prod.code 3GBA092510-ASCCN
6205-2Z/C3 6024-2Z/C3 23 kg

说明：铭牌图片仅供格式参考，最终数据以实际铭牌为准。
Remark: The format of the rating plate is for reference only, the final figure will be subject to the actual rating plate.

宽电压电机 Wide Voltage Motor

功率 Power(KW)	电压范围 Voltage	功率 Power(KW)	电压范围 Voltage
0.55	210V-230V/50HZ	4.0-5.5	360V-400V/50HZ
0.75		7.5-11	
1.1-1.5	420V-460V/60HZ	15-18.5	420V-460V/60HZ
2.2-3.0		22-30	

注意：电机采用 IEC EN IE2 能效等级，PTC 热敏电阻。（相当于中国二级能效）
Note: The motor adopts IEC EN IE2 energy efficiency class, PTC thermistor. (Corresponding to China level two energy efficiency)
注意：其他电机功率、电压、频率等，请联系东正。
Note: Other motor power, voltage, frequency, etc., please contact DONJOY

O型圈配置 O-ring Configuration

我们所采用密封橡胶都符合 FDA 177.2600; 3-A-18-03; Class II; USP Class VI Chapter 88 GB 4806.11; 等各种卫生高洁净的要求。

EPDM=标准

适用范围：温度 -10°C 到 130°C; PH 值约 5-9, 可耐受各种卫生领域介质及工业化学品, 成本低(推荐)。

FKM(Viton)=选项

适用范围：温度 -10°C 到 150°C; 可耐受各种卫生领域介质及工业化学品、油品等各种介质。

FFKM=选项

适用范围：温度 -30°C 到 250°C; 可耐受各种卫生领域介质及工业化学品、油品等各种介质, 几乎可以涵盖所有介质, 成本较高。

HNBR=选项

适用范围：温度 -10°C 到 150°C; 可耐受各种卫生领域介质及工业油品等各种介质, 特别适用于油品。

The sealing rubbers we use are in compliance with hygienic and high purity requirements, such as FDA 177.2600; 3-A-18-03; Class II; USP Class VI Chapter 88 GB 4806.11 and so on.

EPDM=Standard

Scope of application: Temperature -10 °C to 130°C; PH value about 5-9, can tolerate with various media in the health field and industrial chemicals, low cost (recommended)

FKM(Viton)=Option

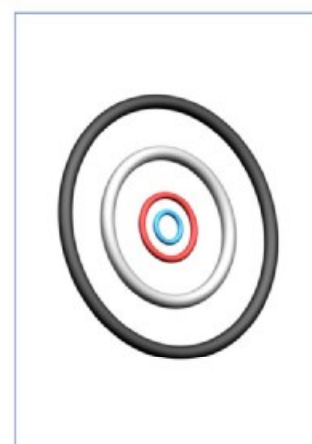
Scope of application: Temperature -10°C to 150 °C; can tolerate with various media in the health field, industrial chemicals, oils and so on.

FFKM=Option

Scope of application: Temperature -30°C to 250°C; can tolerate with various media in the health field, industrial chemicals, oils, etc., can cover almost all media, higher cost

HNBR=Option

Scope of application: Temperature -10 °C to 150°C; can tolerate with various media in the health field, industrial oils, etc., especially suitable for oil products.



Mixing pump series

混合泵系列



DJ-PMTU 混合泵系列

DJ-PMTU Series mixing pump



乳化、均质、
细化、混合、可调节、多任务、
粉液混合的解决方案

Solution for emulsification, homogenization, refining, mixing, adjustable, multi-tasking, mixing powder and liquid



PM系列是一款多功能料液混合泵，它具有混合、剪切、乳化、均质、分聚、细化、破碎、物料改善等功能。该泵相比较传统生产工艺更加简单方便和经济，提高了生产效率、提升被处理物料的质量。

主要应用于：食品、饮料、乳制品、添加剂、个人护理、生物制药、增稠剂、工业应用等。

The PM series is a multifunctional material-liquid mixing pump with functions of mixing, shearing, emulsifying, homogenizing, differentiating, refining, crushing and material improvement. Compared with the traditional production process, the pump is more simple, convenient and economical, which improves the production efficiency and the quality of the materials to be treated.

Mainly applied to: food, beverages, dairy products, additives, personal care, biopharmaceuticals, thickeners, industrial applications and so on.



A=转子泵 Lobe pump

B=均质混合泵 Emulsified homogeneous pump

技术参数 Technical Specifications

粉体最大处理量 Max powder processing capacity	9000kg/h
增稠剂类最大处理 Max thickeners processing capacity	3000KG/h(取决于物料粘度和浓度 Base on material's viscosity and density)
最高温度 Max temperature	130°C
材质 Material	304 /316L, 1.431/1.4404, ASME BPE 316L , 1.4435 NB2 Fe≤0.5%
表面处理 Surface treatment	≤ Ra0.8 μm, ≤ Ra0.6 μm, ≤ Ra0.4 μm
机封 Mechanical seal	单机封和双机封 Single and double mechanical seals
机封组合 Mechanical seal combination	详见配置表 See configuration table
进出口连接 Inlet/Outlet connection	螺纹、卡箍、法兰、无菌法兰 Thread, clamp, flange, Aseptic flange
认证 Certification	3-A-02-11(N.O.1579); MD/06/42-EC (N.O.70521616101-00); FDA 177.2600; USP CLASS-II; EG/VO1935/2004;

DJ-PMTU 混合泵系列

DJ-PMTU Series mixing pump

DJ-TUR 系列转子泵 DJ-TUR series lobe pump



TUR系列转子泵将配料罐中的粉体和液体吸入腔室中预处理，并输送至乳化均质泵。

TUR lobe pump pumping power and liquid from batching tank to chamber for pretreatment and sent to the emulsified homogeneous pump.

转子泵提供多种选择 Lobe pump has multiple options:

TU系列=标准配置

STU系列=不锈钢齿轮箱配置

TU series=standard configuration

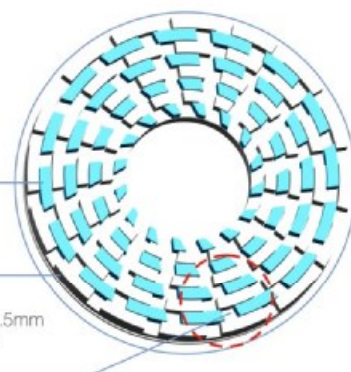
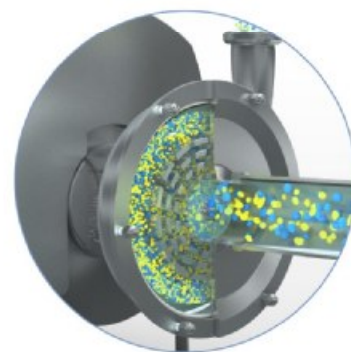
STU series=stainless steel gear case configuration



DJ-JZ1 乳化均质泵 DJ-JZ1 Emulsified homogeneous pump

JZ1系列泵可对各种复杂的成分如稳定剂、增稠剂、胶体、香精、糖和其他各种添加剂等物料进行，乳化、均质、细化、分散、破碎、混合等功能。其强大的混合能力使物料达到高度的一致性，且提高物料质量。

Jz1 series pumps are capable of emulsifying, homogenizing, refining, dispersing, crushing and mixing complex components such as stabilizers, thickeners, gels, flavors, sugars and other additives. Its powerful mixing function enable the material to achieve the high consistency, and improves the material quality.



定子 Stator

转子 Rotor

定子和转子之间的间隙 0.5mm
Gap between stator and rotor is 0.5mm

典型应用行业

Typical applications



食品饮料

Food & beverage

果汁、果酱、冰淇淋、乳制品、食品添加剂、茶饮料、巧克力、豆奶、香精、沙拉酱、辣椒酱、蛋黄酱、番茄酱、芥末、酸奶、酸奶油、风味奶、布丁等工种物料。

Juice, jam, ice cream, dairy products, food additives, tea drinks, chocolate, soymilk, essence, salad dressing, chili sauce, mayonnaise, tomato sauce, mustard, yogurt, sour cream, flavored milk, pudding and other types of materials



添加剂和增稠剂

Additives and thickeners

阿斯巴甜、非脱脂奶粉、盐、柠檬酸、糖、鸡蛋粉、乳清蛋白浓缩物、碳酸钙、蜂蜜、粉末香精等添加剂，胶体、果胶、合成增稠剂、淀粉、明胶等各种增稠剂。

Aspartame, non-skimmed milk powder, salt, citric acid, sugar, egg powder, whey protein concentrate, calcium carbonate, honey, powder essence and other additives, gels, pectin, synthetic thickeners, starch, gelatin and other thickeners.



涂料和油墨

Coating & ink

印刷油墨、油漆、乳胶漆、涂料、纳米涂料、光固化涂料、涂料助剂、炭黑分散、釉、膨润土、染料化合物等。

Printing ink, oil paint, emulsion paint, coating, nano-paint, photocurable coating, coating adhesive, carbon black dispersion, glaze, bentonite, dye compounds etc.



日用化工

Daily chemical

液体洗涤剂、洗手液、洗面乳、硅油乳化、日用香精、护肤品、化妆品、乳霜、洗发水、沐浴露等。

Liquid detergent, liquid soap, facial cleanser, emulsified silicone oil, fragrance compound, skin care product, cosmetics, cream, shampoo, shower gel, etc.



石油化工

Petrochemical industry

润滑油、重油乳化、柴油乳化、改性沥青、催化剂、蜡乳剂等各种工业石油化工所需均质和乳化的介质。

Lubricant, heavy oil emulsification, diesel oil emulsification, modified asphalt, catalyzer, wax emulsion etc. Which media need to be emulsified and homogenized.



农药

Pesticide

杀虫剂、除草剂、农药乳油、肥料、农药助剂等各种农药所需乳化均质混合的介质。

Insecticide, herbicide, pesticide missible oil, fertilizer, inert ingredient etc which media need to be emulsified and homogenized.



生物制药

Bio-pharmaceutical

注射剂、抗生素、药乳液、药乳膏、保健品、微胶囊乳化、洗剂、细胞组织破碎等各种。

Injection, antibiotic, drug emulsion, medicine cream paste, health care products, microcapsule emulsification, lotion, cell tissue breakage etc.



精细化工

Fine chemical engineering

颜料、染料、塑料助剂、纺织助剂、胶黏剂、树脂乳化、热熔胶、密封胶、胶水、浆料、整理剂、表面活性剂、均染剂、炭黑分散、防粘剂、织物整理剂、光亮剂、皮革助剂、颜料膏等各种化工类所需的乳化和均质及混合物料等。

Pigment, dyestuff, plastic additive, textile assistant, adhesive, resin emulsification, hot melt adhesive, sealant, glue, sizing agent, finishing agent, surfactant, dye leveller, carbon black dispersion, anti-sticking agent, textile finishing agent, brightener, leather auxiliaries, pigment paste etc. Which media need to be emulsified and homogenized.



半导体

Semiconductor

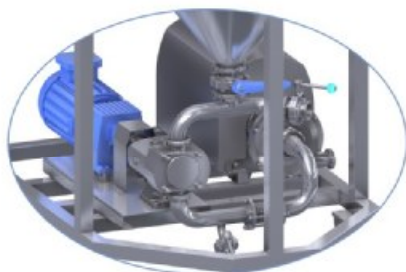
纳米材质分散、解聚等。

Dispersion & depolymerization of nanometer materials etc.

DJ-PMTU 混合泵系列 DJ-PMTU Series mixing pump



简单、灵活、
经济、高效
Simple, flexible,
economical, efficient



粉体和液体被强力吸入泵腔
Powder and liquid are strongly sucked
into the pump chamber



物料被均质混合中
The material is
being homogeneously mixed



均质混合物被输送到罐设备中
The homogeneous mixture is delivered
to the tank equipment

非常简单清晰的管路布局

- 多任务的处理;
- 配置粉体和液体比例可调节;
- 粉体进口设计有阀门, 可通过阀门控制粉体被吸入的量, 阀门可选择手动或气动;
- 液体进口设计有阀门, 可通过阀门控制液体被吸入的流量;
- 料斗侧面设计有震动器, 防止粉体堆积结块;
- 料斗上可配置音叉传感器, 自动工作时防止粉体溢出料斗和粉体量过低导致混合物比例不相符。

Very Simple And Clear Piping Layout

- Multiple tasks can be handled simultaneously.
- Ratio between liquid and powder is adjustable.
- The powder inlet is designed with a valve that controls the amount of powder inhaled. The valve can be manual and pneumatic.
- The liquid inlet is designed with a valve that controls the flow of liquid inhaled.
- The side of the hopper is designed with a vibrator to prevent the powder from accumulating and agglomerating.
- The hopper can be configured with tuning fork sensor. When work automatically, the sensor can prevent mixture ratio from inconsistent caused by low amounts of powder, and also can prevent the powder from overflowing.



简单、灵活、经济
Simple, flexible and economical



传感器 Sensor



震动器和阀门
Vibrator and valve



非常简单清晰的电器控制布局

- 转子泵，可通过变频器控制转速达到控制流量目的；
- 均质泵，可通过变频器控制转速，达到均质和混合的效果，同时控制流量；
- 控制箱，设计有电机过载保护电器，防止电机被烧毁；
- 控制箱，外壳设计工作指示灯，可通过灯分辨工作状态。

Very Simple and Clear Electrical Control Layout

- Lobe pump, can control speed by frequency inverter to achieve the purpose of controlling the flow.
- Homogeneous pump, can control speed by frequency inverter to achieve the effect of homogenization and mixing, meanwhile control the flow.
- Console, designed with motor overload protection to prevent motor from being burned.
- Console, the shell is designed with work indicator, can distinguish working condition through the light.

PMTU 混合泵型号说明

PMTU Mixing pump model instruction



PMTU 13 4KW 5.5KW 380V 50HZ M 2"/1.5" S

Connection standard
连接标准: DIN (D) SMS (S) 3A(A) RJT (R) ISO/IDF (I)

Inlet/Outlet size
进/出口规格

Connection way: Thread (M) Clamp (C)
连接方式: 螺纹(M)卡箍(C)

Motor frequency
电机频率: 50HZ; 60HZ

Voltage: 110V 220V 380V (see table)
电压: 110V 220V 380V (详见选型表)

JZ homogenizer pump motor power: 1.1kw 1.5kw 2.2kw.....
表示混合器中 JZ 均质泵 电机功率:1.1kw 1.5kw 2.2kw.....

Lobe pump/self priming pump motor power: 1.1kw 1.5kw 2.2kw.....
表示混合器中转子泵、自吸泵 电机功率:1.1kw 1.5kw 2.2kw.....

Mixing pump model
混合泵型号

Homogeneous mixing pump code:
PMTU for TUL lobe pump+JZ homogenizer pump series
PMZX for CIP-U type self-priming pump+
JZ homogenizer pump series

均质混合泵代码: PMTU表示TUL转子泵+JZ均质泵系列
PMZX表示CIP-U型自吸泵+JZ均质泵系列等。

For example:
举例: PMTU 13 / 4kW / 5.5KW-380V-50HZ / M-2"/1.5"-S

PMTU 混合泵选型表

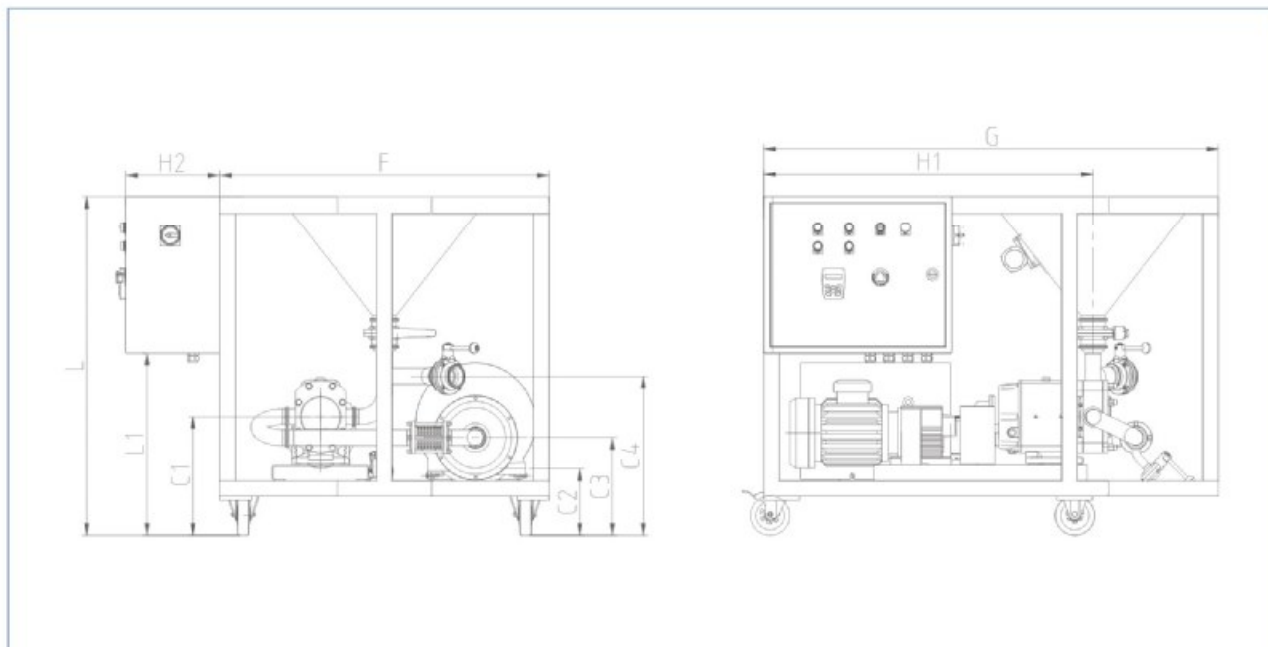
PMTU Mixing pump selection table



均质混合泵 Homogeneous mixing pump	转子泵 Lobe pump		乳化和均质泵 Emulsifying homogenizing pump		粉体处理量 Powder Capacity-KG/h			进口 Inlet	出口 Outlet	加料斗 容量 Hopper capacity (L)	重量 Weight (kg)
	转速 Speed (0-1450-MIN)		转速 Speed (2950-MIN)		砂糖类 Granulated sugar	脱脂牛奶 蛋白粉类 Skim milk protein powder	增稠剂粉末(例 如, 果胶, 酪蛋白 酸盐, 取决于 等级和浓度) Thickener powder (base on grade & density)				
	转子泵 (型号) Lobe pump (model)	功率 Power (KW)	均质泵 (型号) Homogenizing pump (model)	功率 Power (KW)							
型号 Model											
DJ-PMTU-13	TUR-25	4.0	JZ1-130	5.5	0-500	0-450	100-200	2"-DN50	1.5"-DN40	45L	563
DJ-PMTU-15	TUR-30	4.0	JZ1-150	7.5	0-1000	0-900	200-400	2"-DN50	1.5"-DN40	45L	606
DJ-PMTU-17	TUR-35	5.5	JZ1-170	11	0-1800	0-1600	300-500	2"-DN50	2"-DN50	45L	702
DJ-PMTU-19	TUR-60	7.5	JZ1-190	15	0-3500	0-3200	600-1200	3"	2"-DN50	65L	436
DJ-PMTU-21	TUR-70	11.0	JZ1-210	18.5	0-5000	0-4500	1200-2000	3"-DN80	2.5"-DN65	65L	1016
DJ-PMTU-24	TUR-100	15.0	JZ1-240	22	0-10000	0-9000	1500-3000	4"-DN100	2.5"-DN65	65L	1076

PMTU 混合泵数据图

PMTU Series mixing pump data chart



系列 Series	外形安装尺寸 Assembly dimensions									
	C1	C2	C3	C4	F	G	H1	H2	L	L1
PMTU-13	413.5	278.5	355	559.5	1050	1750	1050	300	1124	624
PMTU-15	436.5	257	355	569	1050	1750	1050	300	1124	624
PMTU-17	436.5	283.5	384	569	1050	1750	1050	300	1124	624
PMTU-19	436.5	256.5	384	569	1050	1750	1050	300	1124	624
PMTU-21	554	243	384	493.5	1050	1750	1050	300	1124	624
PMTU-24	554	243	404	493.5	1050	1750	1050	300	1124	624

PMZX 系列混合泵

PMZX series mixing pump



乳化、均质、细化、混合、
可调节、多任务、粉液混合的解决方案
Solution for emulsifying, homogenizing, refining, mixing, adjusting, multi-tasking, powder and liquid mixing.



PM系列是一款多功能料液混合泵，它具有混合、剪切、乳化、均质、分聚、细化、破碎、物料质量改善等功能。该泵相比较传统生产工艺更加简单方便和经济，提高了生产效率、提升被处理物料的质量。

主要应用于：食品、饮料、乳制品、添加剂、个人护理、生物制药、增稠剂、工业应用等。

The PM series mixing pump is for mixing material and liquid with multi-functions ,such as mixing, shearing, emulsifying, homogenizing,dispersing, refining, crushing and material improvement. Compared with the traditional production process, the pump is more simple, convenient and economical, which improves the production efficiency and the quality of treated materials.

Mainly used in: food, beverage, dairy products, additives, personal care, biopharma, thickeners, industrial applications, etc.



A=液环式自吸泵 Liquid ring type self-priming pump
B=均质混合泵 Homogeneous mixing pump

技术参数 Technical Specifications

粉体最大处理量 Max capacity of powder	9000kg/h
增稠剂类最大处理量 Max capacity of thickeners	3000kg/h(取决于物料粘度和浓度Depends on the viscosity and concentration of the material)
最高温度 Max temperature	130℃
材质 Material	304 /316L,1.4301/1.4404,ASME BPE 316L ,1.4435 BN2 Fe≤0.5%
表面处理 Surface treatment	≤ Ra0.8 μ m, ≤ Ra0.6 μ m, ≤ Ra0.4 μ m
机封 Mechanical seal	单机封和双机封 Single and double mechanical seals
机封组合 Mechanical seal combination	详见配置表See configuration table
进/出口连接 Inlet/Outlet connection	螺纹、卡箍、法兰、无菌法兰 Thread, Clamp, Flange, Aseptic flange
认证 Certification	3-A-02-11(N.O.1579); MD/06/42-EC (N.O.70521616101-00); FDA 177.2600; USP CLASS-II; EG/VO1935/2004;

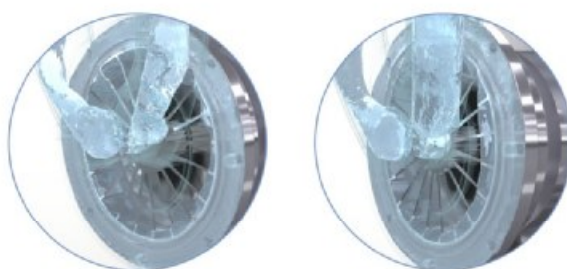
PMZX 系列混合泵 PMZX series mixing pump

DJ-CIP 系列自吸泵 DJ-CIP series self priming pump



CIP系列液环式自吸泵具有超强的自吸能力负压达(0.8bar), 将配料罐中的粉体和液体吸入腔室中预处理, 并输送至乳化均质泵。

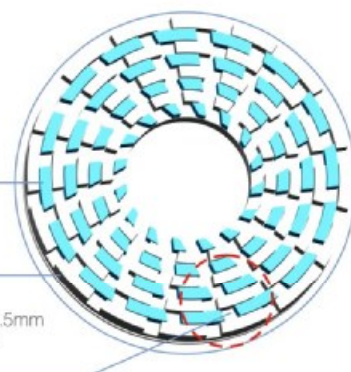
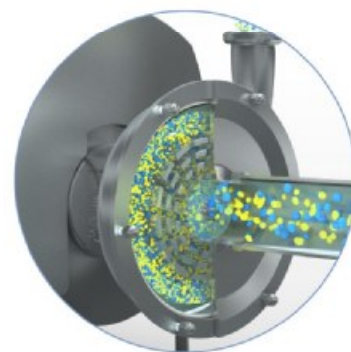
CIP Series liquid ring type self-priming pump has super strong self-priming ability, and negative pressure can reach 0.8bar, the powder and liquid are sucked into the chamber from the dosing tank for pretreatment, and then they're transported to emulsification homogenization pump.



DJ-JZ1 乳化均质泵 DJ-JZ1 Emulsification homogenization pump

JZ1系列泵可对各种复杂的成分如稳定剂、增稠剂、胶体、香精、糖和其他各种添加剂等物料进行, 乳化、均质、细化、分散、破碎、混合等功能。其强大的混合能力使物料达到高度的一致性, 且提高物料质量。

JZ1 Series pumps can be used for emulsifying, homogenizing, refining, dispersing, crushing and mixing of various complex components such as stabilizers, thickeners, gels, flavors, sugars and other additives. And the strong mixing ability makes the materials reach high consistency and improves the quality of materials.



定子 Stator

转子 Rotor

定子和转子之间的间隙 0.5mm
Gap between stator and rotor is 0.5mm

典型应用行业

Typical applications



食品饮料

Food & beverage

果汁、果酱、冰淇淋、乳制品、食品添加剂、茶饮料、巧克力、豆奶、香精、沙拉酱、辣椒酱、蛋黄酱、番茄酱、芥末、酸奶、酸奶油、风味奶、布丁等工种物料。

Juice, jam, ice cream, dairy products, food additives, tea drinks, chocolate, soymilk, essence, salad dressing, chili sauce, mayonnaise, tomato sauce, mustard, yogurt, sour cream, flavored milk, pudding and other types of materials



日用化工

Daily chemical

液体洗涤剂、洗手液、洗面乳、硅油乳化、日用香精、护肤品、化妆品、乳霜、洗发水、沐浴露等。

Liquid detergent, liquid soap, facial cleanser, emulsified silicone oil, fragrance compound, skin care product, cosmetics, cream, shampoo, shower gel, etc.



生物制药

Bio-pharmaceutical

注射剂、抗生素、药乳液、药乳膏、保健品、微胶囊乳化、洗剂、细胞组织破碎等各种。

Injection, antibiotic, medicine emulsion, medicine emulsifiable paste, health care products, microcapsule emulsification, lotion, cell tissue smash etc.



添加剂和增稠剂

Additives and thickeners

阿斯巴甜、非脱脂奶粉、盐、柠檬酸、糖、鸡蛋粉、乳清蛋白浓缩物、碳酸钙、蜂蜜、粉末香精等添加剂、胶体、果胶、合成增稠剂、淀粉、明胶等各种增稠剂。

Aspartame, non-skimmed milk powder, salt, citric acid, sugar, egg powder, whey protein concentrate, calcium carbonate, honey, powder essence and other additives, gels, pectin, synthetic thickeners, starch, gelatin and other thickeners.



石油化工

Petrochemical industry

润滑油、重油乳化、柴油乳化、改性沥青、催化剂、蜡乳剂等各种工业石油化工所需均质和乳化的介质。

Lubricant, heavy oil emulsification, diesel oil emulsification, modified asphalt, catalyzer, wax emulsion etc. Which media need to be emulsified and homogenized.



精细化工

Fine chemical engineering

颜料、染料、塑料助剂、纺织助剂、胶黏剂、树脂乳化、热熔胶、密封胶、胶水、浆料、整理剂、表面活性剂、均染剂、炭黑分散、防粘剂、织物整理剂、光亮剂、皮革助剂、颜料膏等各种化工类所需的乳化和均质及混合物料等。

Pigment, dyestuff, plastic additive, textile assistant, adhesive, resin emulsification, hot melt adhesive, sealant, glue, sizing agent, finishing agent, surfactant, dye leveller, carbon black dispersion, anti-sticking agent, textile finishing agent, brightener, leather auxiliaries, pigment paste etc. Which media need to be emulsified and homogenized.



涂料和油墨

Coating & ink

印刷油墨、油漆、乳胶漆、涂料、纳米涂料、光固化涂料、涂料阻剂、炭黑分散、釉、膨润土、染料化合物等。

Printing ink, oil paint, emulsion paint, coating, nano-paint, photocurable coating, coating adhesive, carbon black dispersion, glaze, bentonite, dye compounds etc.



农药

Pesticide

杀虫剂、除草剂、农药乳油、肥料、农药助剂等各种农药所需乳化均质混合的介质。

Insecticide, herbicide, pesticide missible oil, fertilizer, inert ingredient etc which media need to be emulsified and homogenized.



半导体

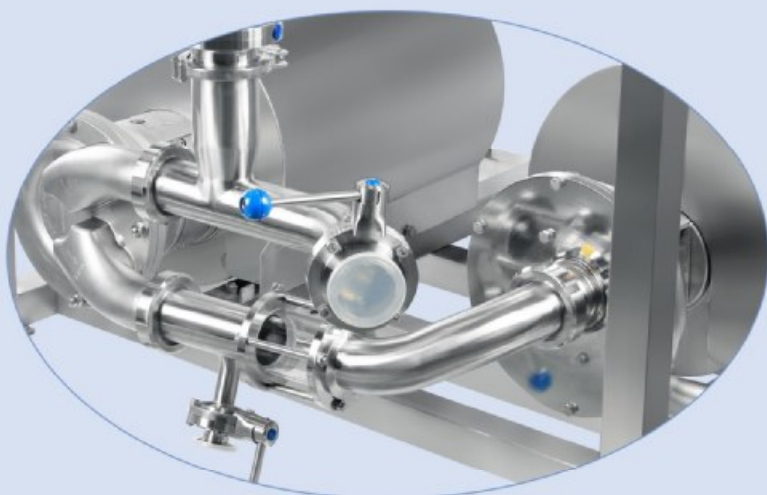
Semiconductor

纳米材质分散、解聚等。

Dispersion & depolymerization of nanometer materials etc.

PMZX 系列混合泵

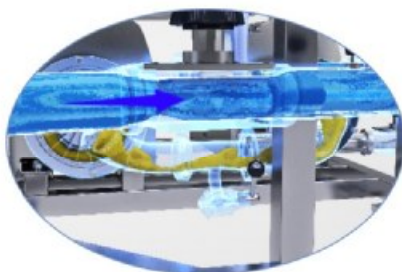
PMZX series mixing pump



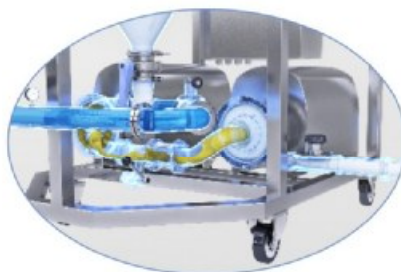
简单、灵活、
经济、高效
Simple, flexible,
economical, efficient



粉体和液体被强力吸入泵腔
Powder and liquid are strongly sucked
into the pump chamber



物料被均质混合中
The material is
being homogeneously mixed



均质混合物被输送到罐设备中
The homogeneous mixture is transported
to the tank equipment

非常简单清晰的管路布局

- 多任务的处理;
- 配置粉体和液体比例可调节;
- 粉体进口设计有阀门, 可通过阀门控制粉体被吸入的量, 阀门可选择手动或气动;
- 液体进口设计有阀门, 可通过阀门控制液体被吸入的流量;
- 料斗侧面设计有震动器, 防止粉体堆积结块;
- 料斗上可配置音叉传感器, 自动工作时防止粉体溢出料斗和粉体量过低导致混合物比例不相符。

Very Simple And Clear Piping Layout

- Multiple tasks can be handled simultaneously.
- Ratio between liquid and powder is adjustable.
- The powder inlet is designed with a valve that controls the amount of powder inhaled. The valve can be manual and pneumatic.
- The liquid inlet is designed with a valve that controls the flow of liquid inhaled.
- The side of the hopper is designed with a vibrator to prevent the powder from accumulating and agglomerating.
- The hopper can be configured with tuning fork sensor. when work automatically, the sensor can prevent mixture ratio from inconsistent caused by low amounts of powder, and also can prevent the powder from overflowing.



简单、灵活、经济
Simple, flexible, economical



传感器 Sensor



震动器和阀门
Vibrator and valve



清洗液体灌入料斗
Cleaning liquid is poured into the hopper



清洗管路和料斗
Cleaning pipes and hopper



开启最低排放阀，排干清洗液
Open bottom discharge valve to drain the cleaning solution

非常简单清晰的电器控制布局

- 自吸泵，可通过变频器控制转速达到控制流量目地；
- 均质泵，可通过变频器控制转速，达到均质和混合的效果，同时控制流量目地；
- 控制箱，设计有电机过载保护电器，防止电机被烧毁；
- 控制箱，外壳设计工作指示灯，可通过灯分辨工作状态。

Very Simple And Clear Electrical Control Layout

- Self priming pump, can control speed by frequency inverter to achieve the purpose of controlling the flow.
- Homogeneous pump, can control speed by frequency inverter to achieve the effect of homogenization and mixing, meanwhile control the flow.
- Console, designed with motor overload protection to prevent motor from being burned.
- Console, the shell is designed with work indicator, can distinguish working condition through the light.

PMZX 混合泵型号说明

PMZX mixing pump model description



PMZX 13 5.5KW 5.5KW 380V 50HZ M 2"/1.5" S

Connection standard
连接标准: DIN (D) SMS (S) 3A(A) RJT (R) ISO/IDF (I)

Inlet/Outlet size
进/出口规格

Connection method: Thread (M) Clamp (C)
连接方式: 螺纹(M) 卡箍(C)

Motor frequency
电机频率: 50HZ; 60HZ

Voltage: 110V 220V 380V (see table)
电压: 110V 220V 380V (详见选型表)

The motor power of JZ homogeneous pump in the mixer is
1.1kw 1.5kw 2.2kw.....
表示混合器中 JZ 均质泵 电机功率:1.1kw 1.5kw 2.2kw.....

The motor power of lobe pump and self-priming pump
in the mixer is 1.1kw 1.5kw 2.2kw.....
表示混合器中转子泵、自吸泵 电机功率:1.1kw 1.5kw 2.2kw.....

Mixing pump model
混合泵型号

Homogeneous mixing pump code: PMTU stands for TUL lobe pump +
JZ homogeneous pump series

PMZX stands for CIP-U type self-priming pump +
JZ homogeneous pump series, etc.

均质混合泵代码: PMTU表示TUL转子泵+JZ均质泵系列
PMZX表示CIP-U型自吸泵+JZ均质泵系列等。

For example:
举例: PMZX 13 / 5.5kw / 5.5KW-380V-50HZ / M-2"/1.5"-S

PMZX 混合泵选型表

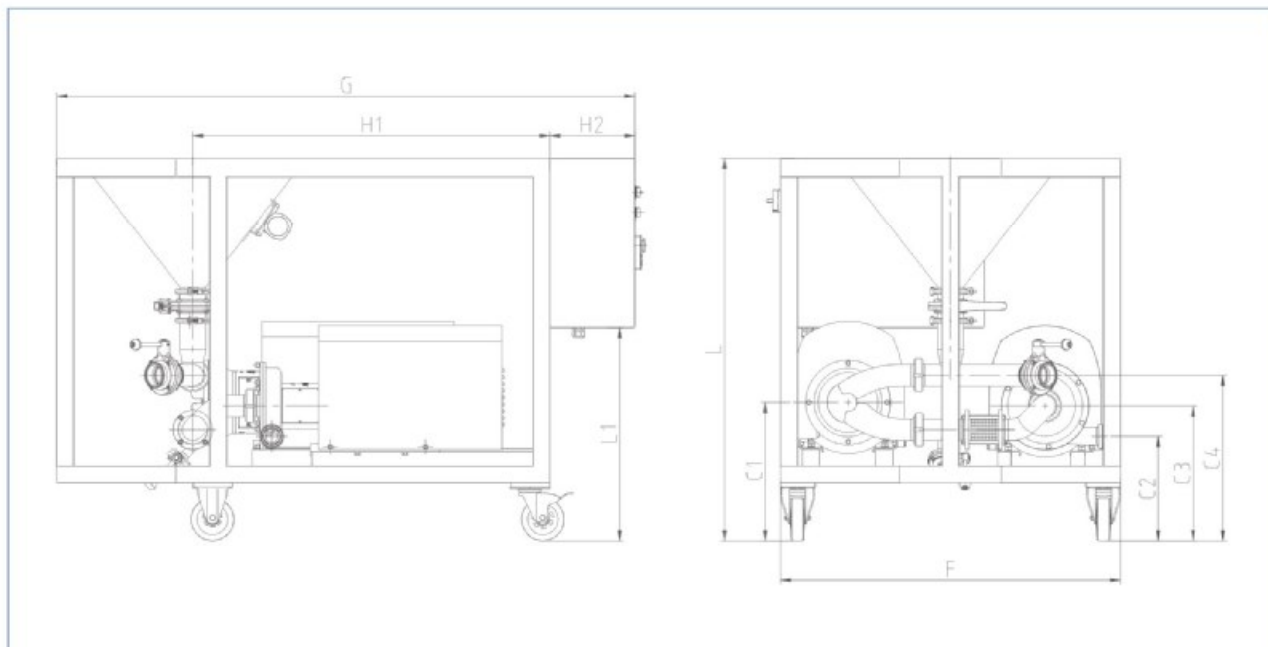
PMZX Mixing pump selection table



均质混合泵 Homogeneous mixing pump	自吸泵 Self-priming pump		乳化均质泵 Emulsifying homogenizing pump		粉体处理量(kg/h) Powder processing capacity			进口 Inlet	出口 Outlet	加料斗 容量 Hopper capacity (L)	重量 Weight (kg)
	转速 Rotate speed (1450-MIN)		转速 Rotate speed (2950-MIN)		砂糖类 Sugar class	脱脂牛奶 蛋白粉类 Skim milk Protein powder class	增稠剂粉末(例如, 果胶钠酪蛋白酸盐, 取决于等级和浓度) Thickener powder (for example, pectin sodium caseinate, depends on grade and concentration)				
型号 Model	自吸泵 (型号) Self-priming pump (Model)	功率 Power (KW)	均质泵 (型号) Homogeneous pump (Model)	功率 Power (KW)							
DJ-PMZX-13	CIPU-10	5.5	JZ1-10	5.5	500	450	100-200	2"-DN50	1.5"-DN40	45	537
DJ-PMZX-15	CIPU-10	5.5	JZ1-15	7.5	1000	900	200-400	2"-DN50	1.5"-DN40	45	560
DJ-PMZX-17	CIPU-10	5.5	JZ1-20	11	1800	1600	300-500	2"-2.5"-DN50-65	2"-DN50	45	611
DJ-PMZX-19	CIPU-20	7.5	JZ1-30	15	3500	3200	600-1200	DN65-3"-DN80	2"-2.5"-DN50-65	65	640
DJ-PMZX-21	CIPU-20	11	JZ1-35	18.5	5000	4500	1200-2000	DN65-3"-DN80	2.5"-DN65	85	732
DJ-PMZX-24	CIPU-30	11	JZ1-240	22	10000	9000	1500-3000	4"-DN100	DN65-3"-DN80	65	784

PMZX 混合泵数据图

PMZX Series mixing pump data chart



系列 Model	外形安装尺寸 Assembly Dimension									
	C1	C2	C3	C4	F	G	H1	H2	L	L1
DJ-PMZX-13	355	278.5	355	485	1050	1750	1050	300	1011	624
DJ-PMZX-15	355	257	355	485	1050	1750	1050	300	1011	624
DJ-PMZX-17	355	283.5	384	514	1050	1750	1050	300	1011	624
DJ-PMZX-19	355	256.5	384	514	1050	1750	1050	300	1011	624
DJ-PMZX-21	355	243	384	514	1050	1750	1050	300	1124	624
DJ-PMZX-24	383	243	404	514	1050	1750	1050	300	1124	624

注意：以上数据图相关尺寸不作为实物最终依据，东正保留对于数据更新权限不再另行通知。
 Note: The relevant dimensions of the above data diagrams are not regarded as the final basis of the actual object.
 DONJOY reserves the right to update the data without further notice.



DONJOY looking forward to your visit! Your telecommunications!



东正科技有限公司 DONJOY TECHNOLOGY CO., LTD

地址: 温州空港新区港富路25号
总机: 0577 8699 0888
传真: 0577 8699 8000

ADD: No.25 Gangfu Road, Konggang
New District, Longwan, Wenzhou, China
TEL: +86 577 8699 0888
FAX: +86 577 8699 8000
E-mail: donjoy@cndonjoy.com

www.cndonjoy.com

法律声明:

目录样册版权归东正所有, 如有抄袭, 必将追究其法律责任和经济赔偿。
东正已获得国家版权局书刊号。东正诸多产品技术, 都具有专利保护, 如有抄袭, 必将追究法律责任和经济赔偿。

Legal statement:

Copyright of the catalogue belongs to Donjoy. If there is plagiarism, it will be investigated for legal responsibility and economic compensation. Donjoy has been granted publications number by Chinese National Copyright. Donjoy products and technology are with patent protection. If there is plagiarism, it will be investigated for legal responsibility and economic compensation.